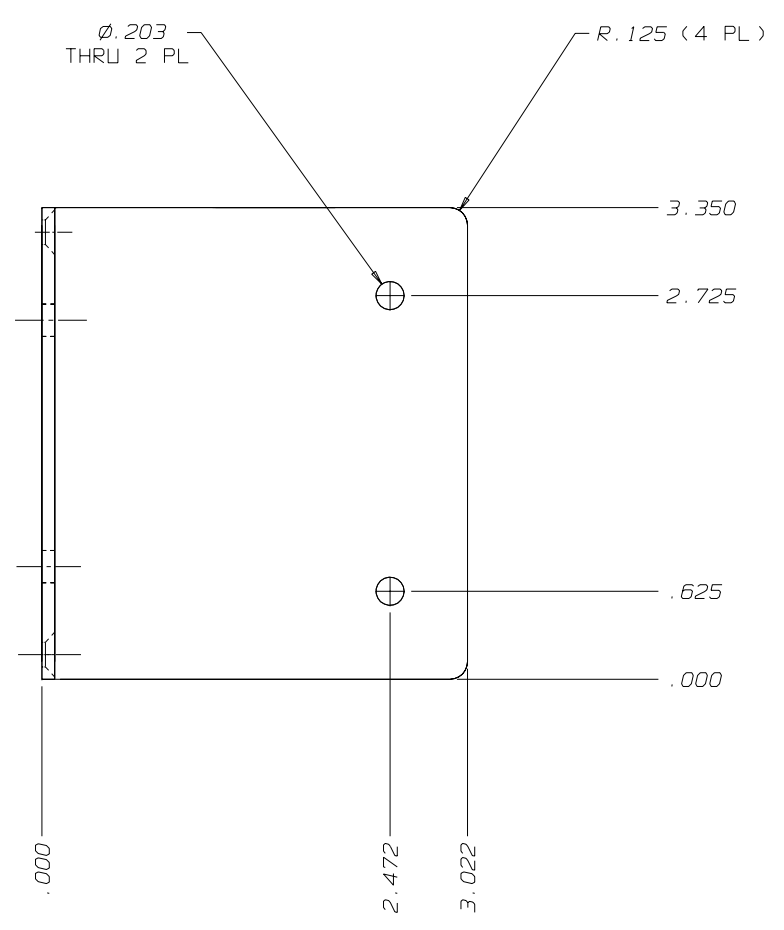
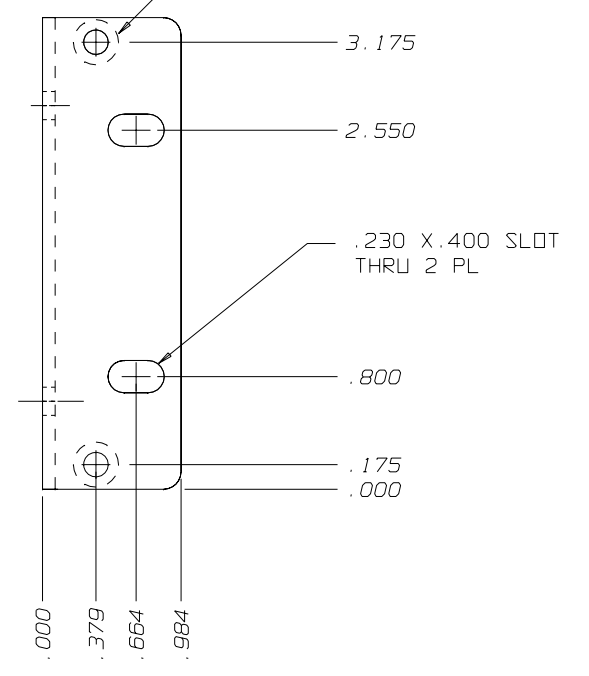
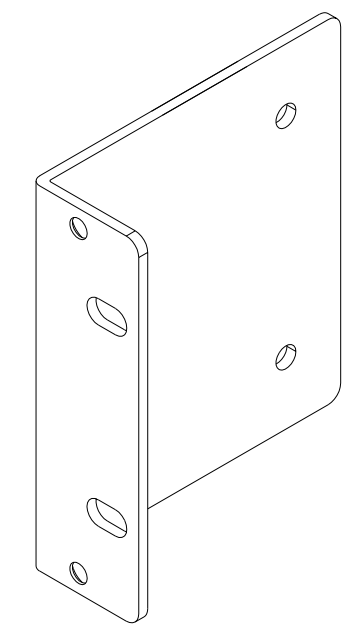
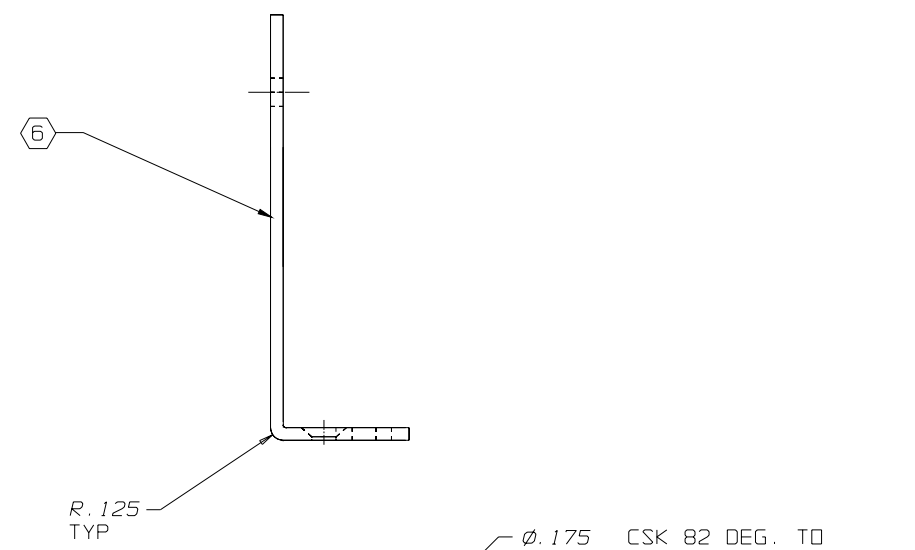


REVISIONS			
REV	DESCRIPTION	DATE	APPROVED
A	ADDED NOTE #6	01/20/89	JG



- NOTES:
- 1) ALL DIMENSIONS ARE IN INCHES
 - 2) TOL +/- .010
 - 3) USE MINIMUM RADII ON ALL BENDS
 - 4) MATERIAL: .090 ALUMINUM (11 GA)
 - 5) FINISH: BLACK ANODIZE
- DO NOT GRAIN, TUMBLE OPTIONAL
- Ⓟ RUBBER STAMP OR STENCIL ON THIS SURFACE IN .12 - .19 HIGH CHARACTERS:
7-00257-720.REVA

STANFORD RESEARCH SYSTEMS, Inc.

1290-D REAMWOOD AVENUE
SUNNYVALE, CA 94089

PHONE: (408) 744-9040
FAX: 4087449049
TELEX: 706891 SRS UD

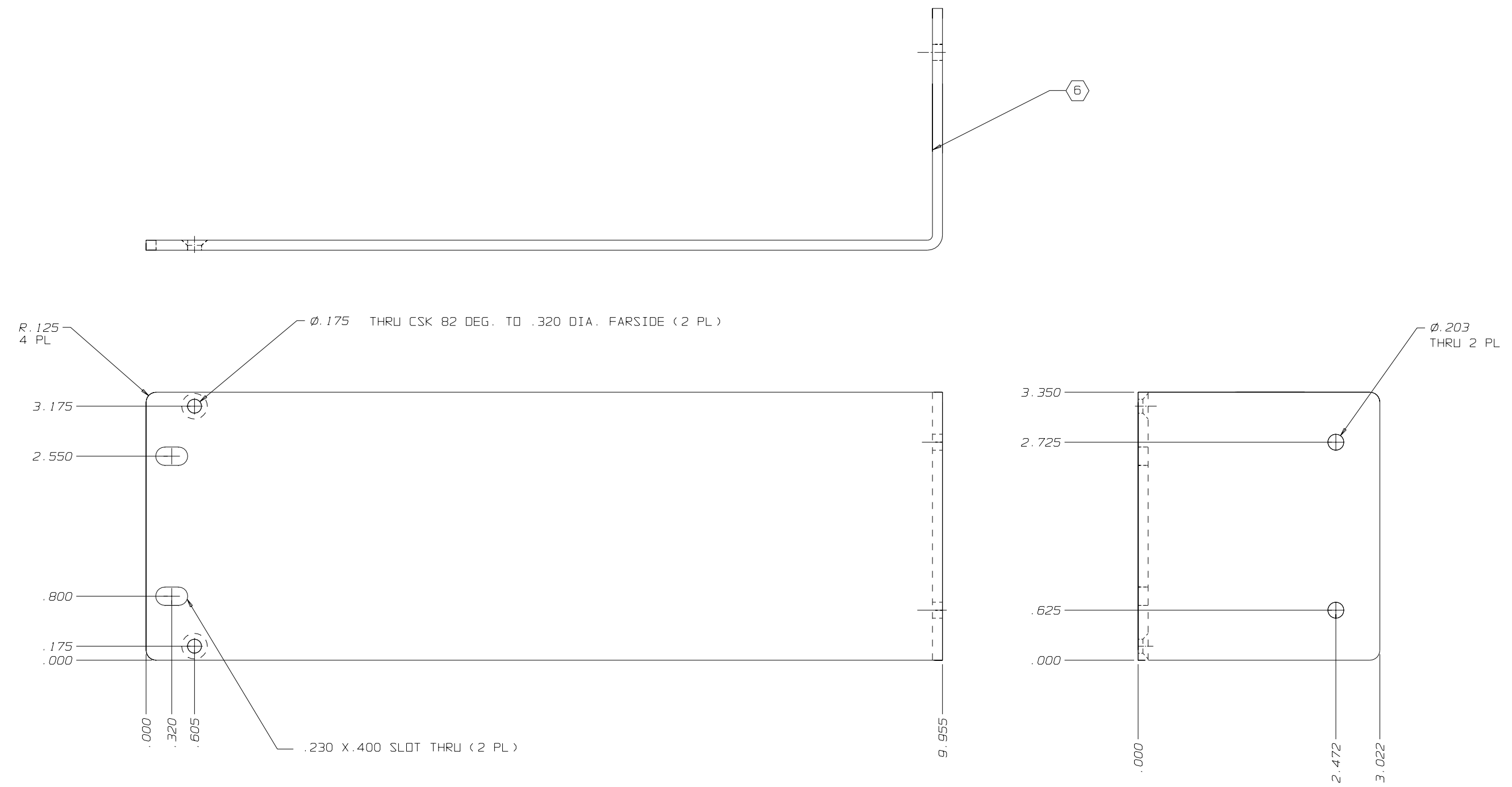
ASSEMBLY:

TITLE: RACK MOUNT

SIZE E	SRS RFF#	SRS PART# 7-00257-720	REV A
-----------	----------	--------------------------	----------

DRAWN BY: JG SCALE: 1:1 DATE: 12-21-88 SHEET 1 OF 1

REVISIONS			
REV	DESCRIPTION	DATE	APPROVED
A	ADDED .175 HGT FOR CSK	2/1/89	JG



- NOTES:
- 1) ALL DIMENSIONS ARE IN INCHES
 - 2) TOL +/- .010
 - 3) USE MINIMUM RADII ON ALL BENDS
 - 4) MATERIAL: $.125$ ALUMINUM (8 GA)
 - 5) FINISH: ANODIZE BLACK, DO NOT GRAIN TUMBLE OPTIONAL
- ⑥ RUBBER STAMP OR STENCIL ON THIS SURFACE IN $.12$ - $.19$ HIGH CHARACTERS: 7-00258-720.REVA

STANFORD RESEARCH SYSTEMS, Inc.

1290-D REAMWOOD AVENUE
SUNNYVALE, CA 94089
PHONE: (408) 744-9040
FAX: 4087449049
TELEX: 706891 SRS UD

ASSEMBLY:
TITLE: RACK MOUNT, SINGLE

SIZE	SRS REF#	SRS PART#	REV
[]	[]	7-00258-720	A

DRAWN BY: JG SCALE: 1:1 DATE: 12-22-88 SHEET 1 OF 1